

**LH SIDE INTERNAL CORNER**

**THRESHOLD INTERNAL SPECIAL COVERS (Sheet 1 of 2)**

**NAME:** .....

**JOB REF OR ORDER NO.:** .....

**COMPANY** (if applicable): .....

**SKIRTING PROFILE - 6"LT**  / **8"OG**  / **5"PR**

**TELEPHONE NO.:** .....

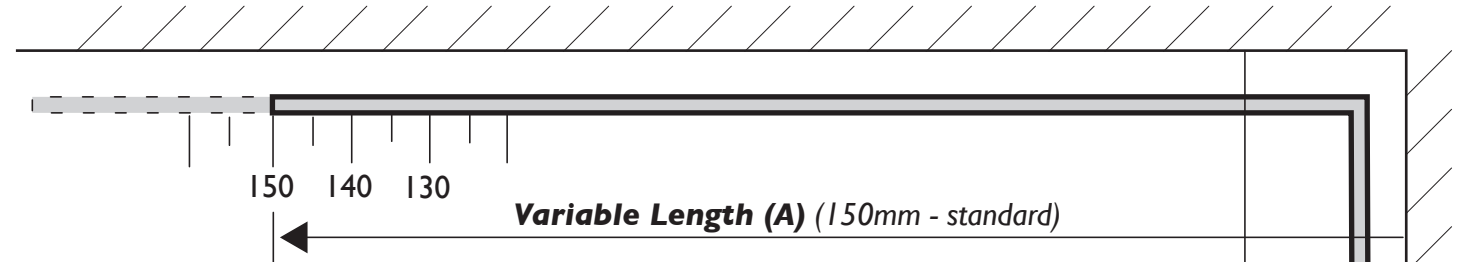
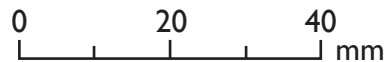
**COLOUR:** .....

**E-MAIL ADDRESS:** .....

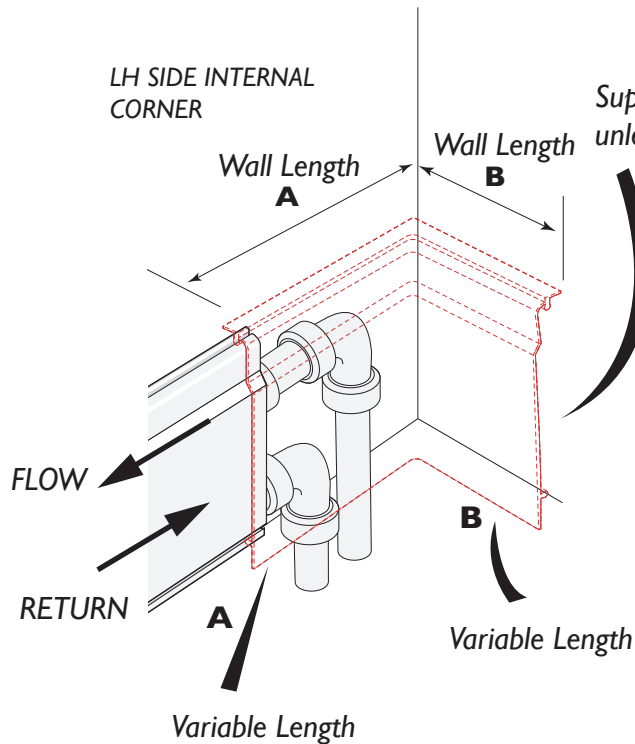
**SIGNED:** ..... **DATE:** .....

Print out and mark length required and return to DiscreteHeat.

Do not scale when printing out



PLAN VIEW

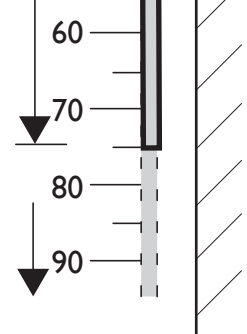


Supplied 'open' end unless specified.

A = 150mm as standard.  
 B = 75mm as standard.  
 Leave blank if standard dimension OK.

**Variable Length (B)**  
 (75mm - standard)

Item	Ref	LENGTH REQUIRED:	A .....	B .....	Qty.	Closed?
1.	_____	LENGTH REQUIRED:	A .....	B .....	.....	<input type="checkbox"/>
2.	_____	LENGTH REQUIRED:	A .....	B .....	.....	<input type="checkbox"/>
3.	_____	LENGTH REQUIRED:	A .....	B .....	.....	<input type="checkbox"/>
4.	_____	LENGTH REQUIRED:	A .....	B .....	.....	<input type="checkbox"/>
5.	_____	LENGTH REQUIRED:	A .....	B .....	.....	<input type="checkbox"/>
6.	_____	LENGTH REQUIRED:	A .....	B .....	.....	<input type="checkbox"/>
7.	_____	LENGTH REQUIRED:	A .....	B .....	.....	<input type="checkbox"/>
8.	_____	LENGTH REQUIRED:	A .....	B .....	.....	<input type="checkbox"/>

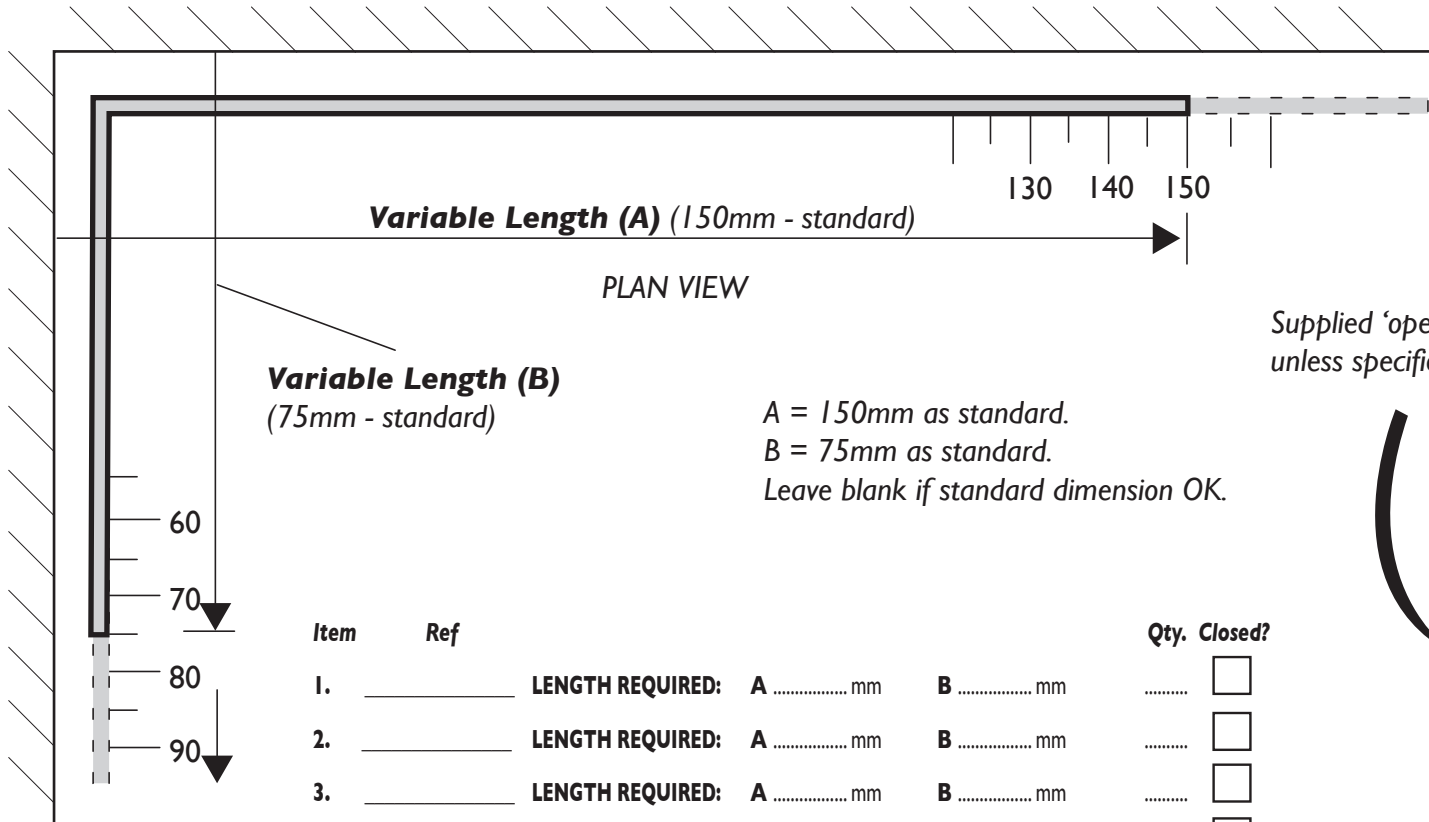


**THRESHOLD INTERNAL SPECIAL COVERS** (Sheet 2 of 2)

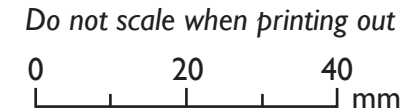
**RH SIDE INTERNAL CORNER**

**NAME:** .....  
**COMPANY** (if applicable): .....  
**TELEPHONE NO.:** .....  
**E-MAIL ADDRESS:** .....

**JOB REF OR ORDER NO.:** .....  
**SKIRTING PROFILE - 6"LT**  / **8"OG**  / **5"PR**   
**COLOUR:** .....  
**SIGNED:** ..... **DATE:** .....



Print out and mark length required and return to DiscreteHeat.



A = 150mm as standard.  
B = 75mm as standard.  
Leave blank if standard dimension OK.

Item	Ref	LENGTH REQUIRED:	A .....	B .....	Qty.	Closed?
1.	.....	LENGTH REQUIRED:	A .....	B .....	.....	<input type="checkbox"/>
2.	.....	LENGTH REQUIRED:	A .....	B .....	.....	<input type="checkbox"/>
3.	.....	LENGTH REQUIRED:	A .....	B .....	.....	<input type="checkbox"/>
4.	.....	LENGTH REQUIRED:	A .....	B .....	.....	<input type="checkbox"/>
5.	.....	LENGTH REQUIRED:	A .....	B .....	.....	<input type="checkbox"/>
6.	.....	LENGTH REQUIRED:	A .....	B .....	.....	<input type="checkbox"/>
7.	.....	LENGTH REQUIRED:	A .....	B .....	.....	<input type="checkbox"/>
8.	.....	LENGTH REQUIRED:	A .....	B .....	.....	<input type="checkbox"/>

Supplied 'open' end unless specified.

